



USER MANUAL

#128 Cooke Video Adapter

14-0010

Version 2.00

2013

For information regarding applicable intellectual property, please visit www.uniblitz.com/patents.

Information in this publication supersedes that in all previously published material. Due to our ongoing development program, Vincent Associates reserves the right to discontinue or change specifications or designs, at any time, without incurring any obligation.

Version 2.00

2013

Vincent Associates, a Division of VA, Inc.

803 Linden Ave.

Rochester, NY 14625

Tel: 585-385-5930

Fax: 585-385-6004

UNIBLITZ[®], **N-CAS[®]** and **VINCENT ASSOCIATES[®]** are registered trademarks of VA, Inc.

Printed in the U.S.A.

Warranty

LIMITED PRODUCT WARRANTY: All Products manufactured by VINCENT ASSOCIATES® (MANUFACTURER) are warranted to meet published specifications and to be free of defects in materials and workmanship as defined in the specifications for 365 days - one year - (WARRANTY PERIOD) from the date of original shipment of the product. DSS series shutters are additionally warranted to achieve two million cycles within the WARRANTY PERIOD (as defined in the CYCLE WARRANTY CRITERION). MANUFACTURER will, at its own option within the WARRANTY PERIOD, repair or replace without charge any listed item discovered to be defective excepting transportation charges. Burned out or otherwise damaged actuator coils are not covered under this warranty. Any defective product returned to the MANUFACTURER must follow the RETURN MATERIAL AUTHORIZATION PROCEDURE as defined below. This warranty does not extend to cover damage resulting from alteration, misuse, negligence, abuse, normal wear and tear, or accident. The MANUFACTURER will consider the return of unused equipment if returned within 30 days from the original date of shipment, subject to a 20% restocking charge. This offer does not apply to used or damaged equipment. This warranty extends only to the original purchase and is not available to any third party, including any purchaser assemblies or other Products of which the goods may become component equipment.

CYCLE WARRANTY CRITERION: One "cycle" is considered one open and one closure of the shutter. DSS Shutter must be operated with the ED12DSS driver or equivalent H-Bridge type shutter driver circuit at +10.7VDC across the actuator coil for the specified duration. DSS Shutter must be operated within the defined environmental, electrical and mechanical specifications as listed on the device's data sheet. After one year (WARRANTY PERIOD), the cycle warranty is null and void. If returned, the device must be accompanied by a written statement indicating the approximate number of cycles contained on the device, include all parameters to which the shutter was operated and follow the RETURN MATERIAL AUTHORIZATION PROCEDURE as defined below.

RETURN MATERIAL AUTHORIZATION PROCEDURE: MANUFACTURER will only accept returned Products from customers that have obtained an RMA (Return Material Authorization) number from the MANUFACTURER. The customer must also include an itemized statement of defect(s). The Product will then be evaluated per the MANUFACTURER'S standard repair guidelines. Any Product which has been returned to the MANUFACTURER but which is found to meet the applicable specifications and not defective in materials and workmanship shall be subject to the MANUFACTURER's standard evaluation charge. The MANUFACTURER assumes no liability for customer returned material.

LIMIT OF LIABILITY: The buyer's exclusive remedy and the limit of MANUFACTURER'S liability for any loss whatsoever shall not exceed the purchase price paid by the buyer for the goods to which a claim is made. MANUFACTURER does not give any implied warranties of merchantability, fitness for a particular purpose, or of any other nature in connection with the sale of any Products.

Table of Contents

WARRANTY	3
TABLE OF CONTENTS	4
INTRODUCTION.....	5
ASSEMBLY INSTRUCTIONS.....	6
SPECIFICATIONS	7

Introduction

The #128 Cooke type adapter ring adapts specific shutter housing types to a COOKE camera. The adapter is attached to the camera via the six M2.5 P. H. screws and the shutter is then attached via the 2.00 inch x 40 TPI optical thread. The #128 adapter is recommend for use with housed versions of the VS35, CS35, and CS45 series shutters equipped with the #17 “F” Type Video Adapter.

Assembly Procedure

Mount Assembly

Unpack the Mount Set

As you remove the packing material from the box, check for small items that may be attached to the packing material. Make sure the following parts were included in the box:

(See parts list and figures below)

#128 MOUNT ADAPTER ASSEMBLY PARTS LIST			
ITEM	PART NAME	QUANTITY	PART NUMBER
1	SHUTTER HOUSING WITH #17 MOUNT	1	N/A
2	#128 COOKE ADAPTER	1	9003-0341
3	4-40x1/4 SET SCREW	1	20-0149

Step One:

- If the shutter is not equipped with 2.000x40 TPI thread, attach a #135 conversion adapter and secure with set screw.
- If mount is shipped attached to the shutter, loosen set screw 3, un-screw the #128 COOKE adapter from the shutter housing(with #17 Front "F" mount adapter. Refer #17 mount assembly manual) rear side thread. See Figure 1, shown is a CS45 shutter housing.

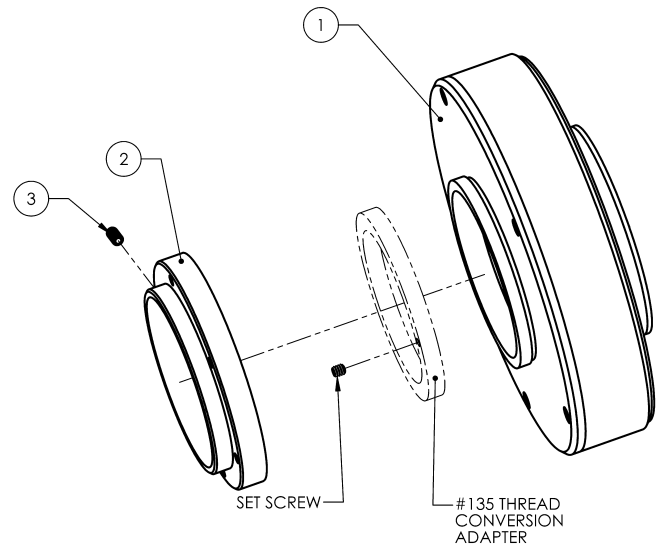


Figure 1

Step Two:

- Remove existing mount from COOKE camera, per camera manufacturer's instructions.
- Attach #128 adapter onto COOKE camera front side with (6)-M2.5 screws provided.
- Screw shutter assembly on to #128 adapter and tighten. Secure with set screw included. (see Figure 2)

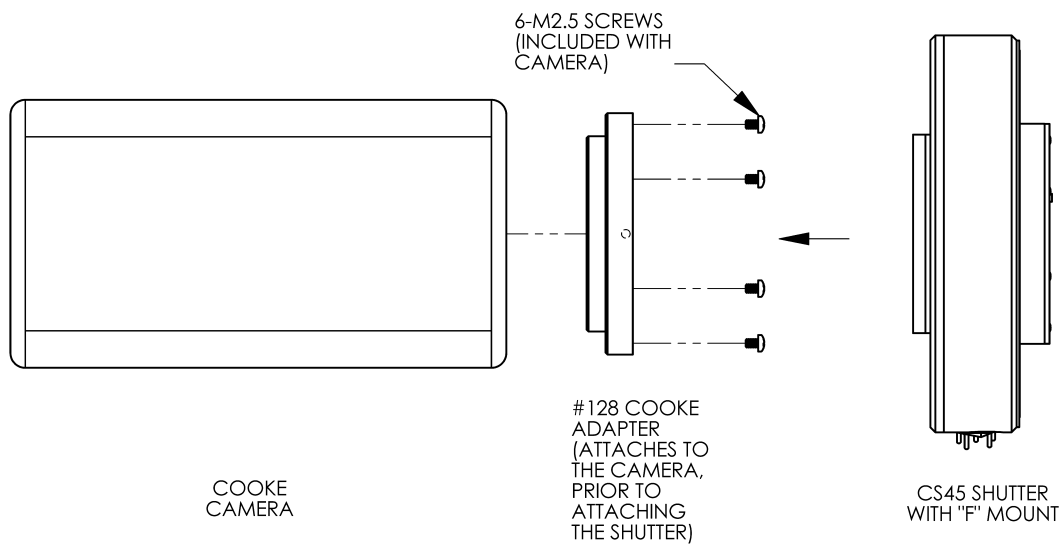
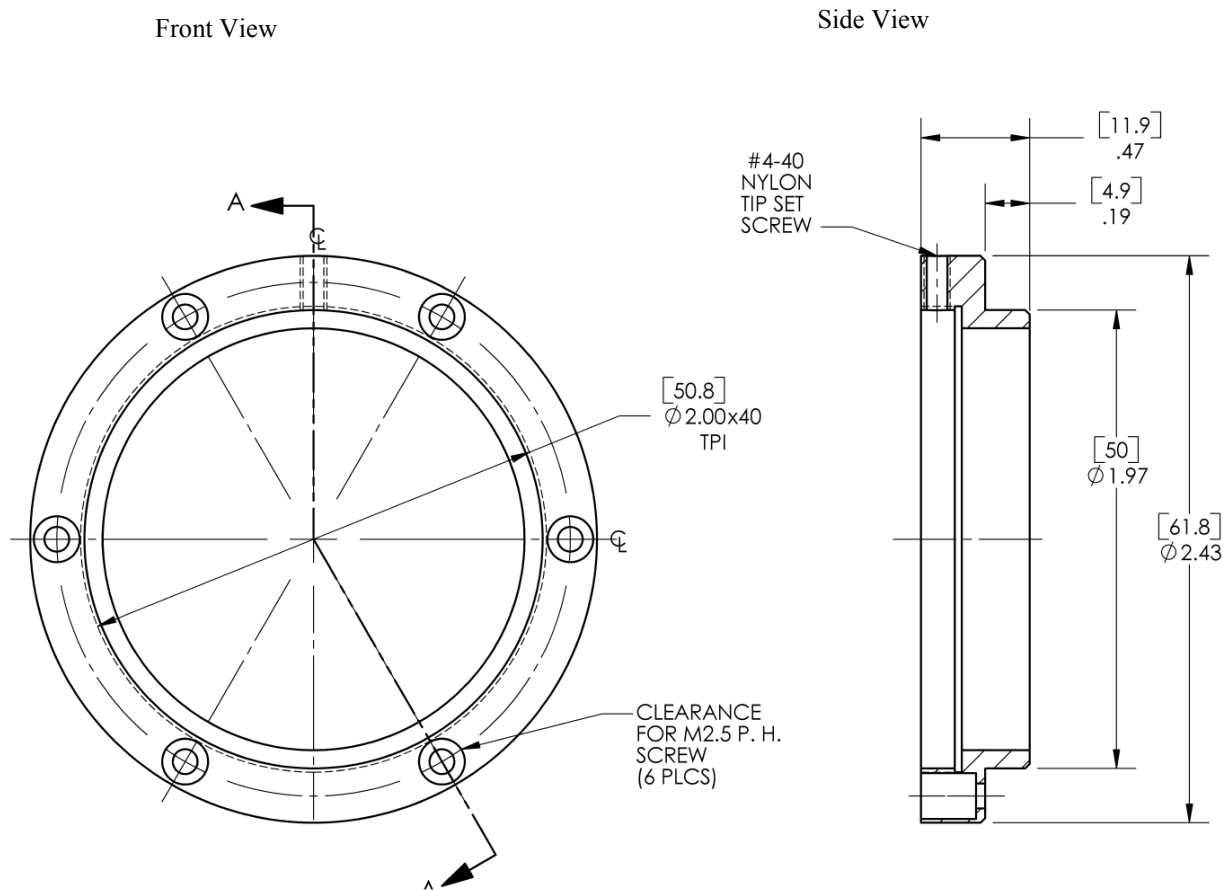


Figure 2

SPECIFICATIONS:



Due to our ongoing product development program, Vincent Associates reserves the right to discontinue or change specifications or designs at any time, without incurring any obligations.

Teflon is a registered trade mark of E.I. Dupont U. S. Pat. No. 3.427.576; 3.595.553; 3.967.293. 6,652,165. Drawing shown for illustrative purposes only. Updated 9/2013